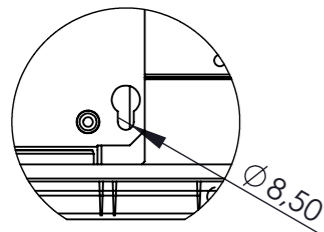
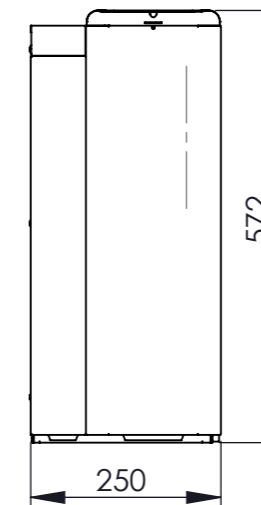
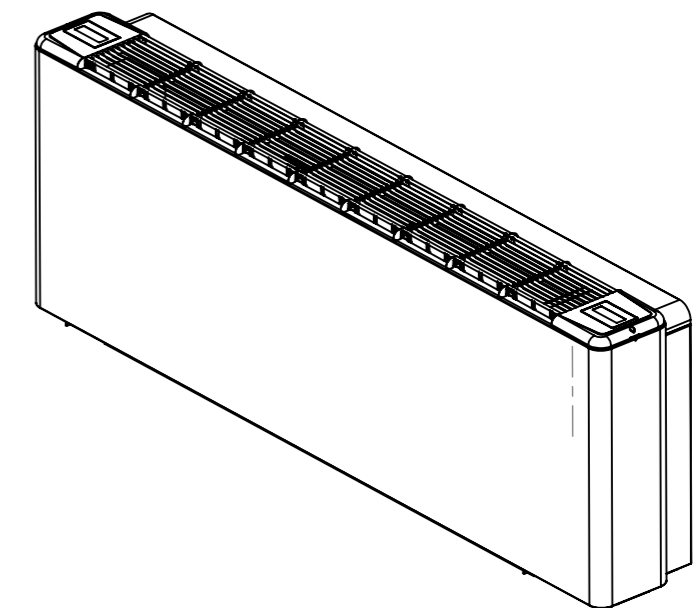
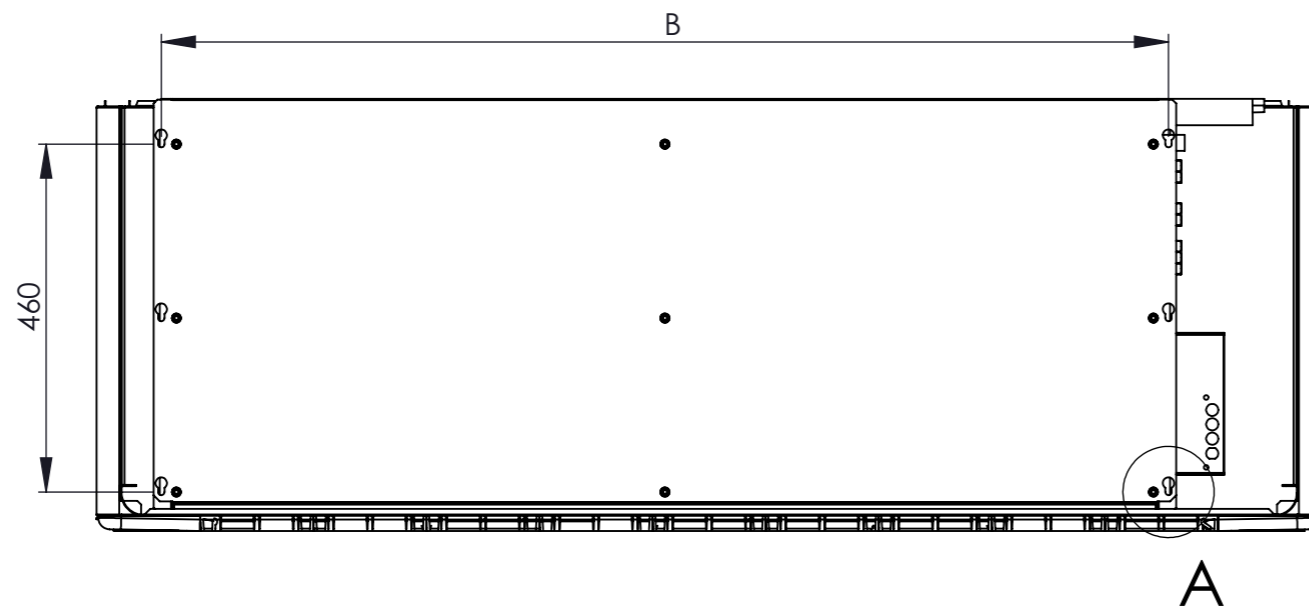


SECTION B-B



DETAIL A
SCALE 1 : 4

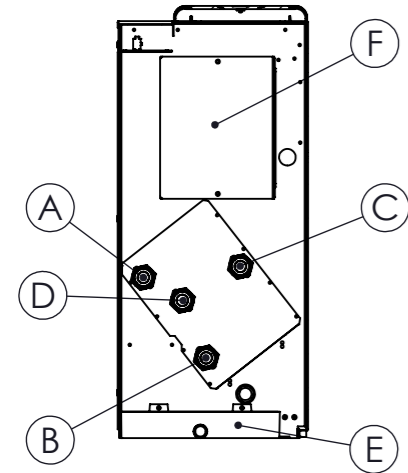


A	Hot water in	3/4 "
B	Hot water out	3/4 "
C	Cooling water in	3/4 "
D	Cooling water out	3/4 "
E	Drain pan	
F	Electrical connection	

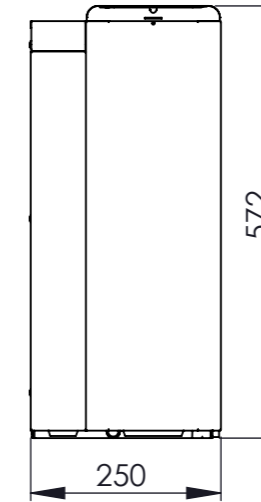
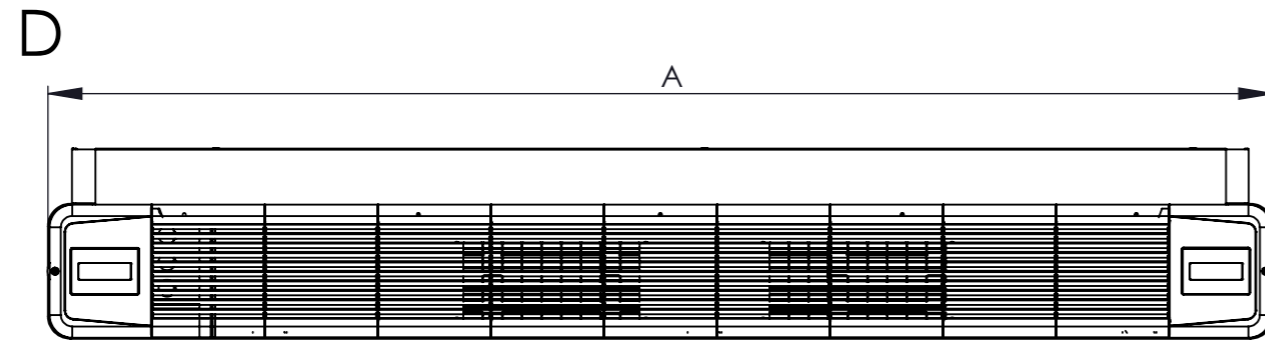
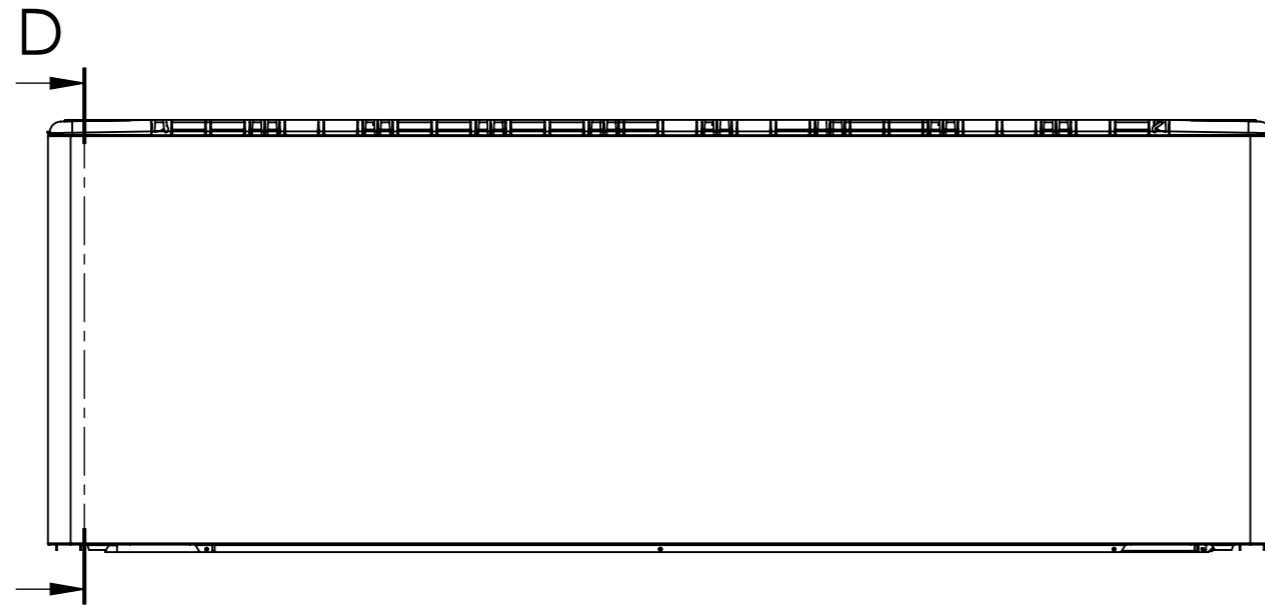
Studio Vari VC, right hand connection

Model	Unit length "A"	Distance "B"	Weight (kg)	Number of fan sections
Studio Vari VC 9	1020	732	35	2
Studio Vari VC 10	1320	1032	43	2
Studio Vari VC 13	1620	1332	53	2
Studio Vari VC 16	1920	1632	65	4

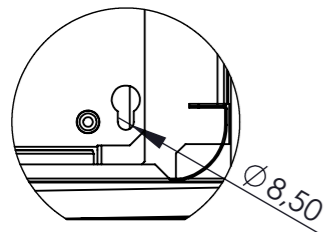
	Kuvaus: Puhallinpatteri Studio Vari VC		Massa: - Kg
	Description: Fan coil unit Studio Vari VC		Materiaali: -
Suhde / Scale A3 1:10	Yleistoleranssi General tol.		Materiaali: -
Pvm: 04.04.2017	Piirustus: Studio_Vari_VC A.4		Nimiketunnus: Item code: N01005801
Date:		Resurssiryhmä 1: Resource group 1: Puhallinpatterit	Värisävy: Color:
			Suunnittelija: Designed By: KSC
			Sivu no: 1 (2)
			Sheet No:



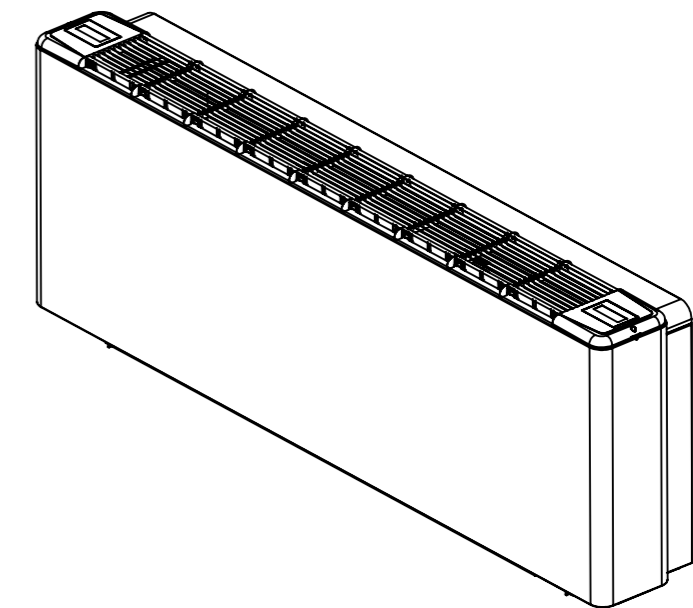
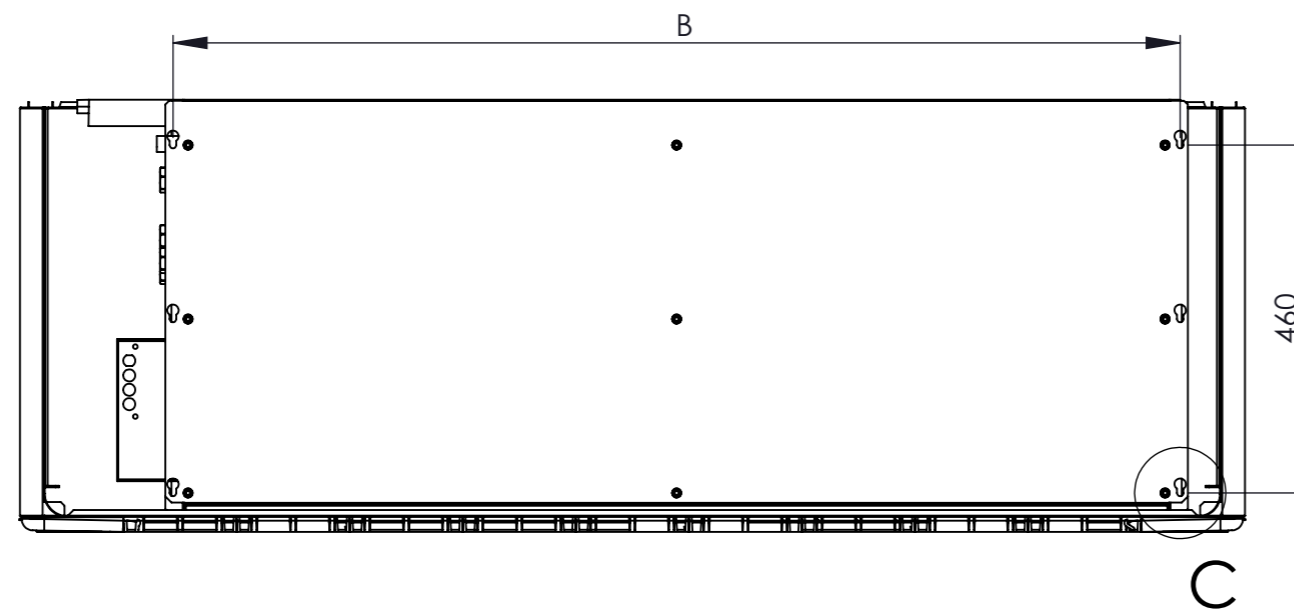
SECTION D-D



A	Hot water in	3/4 "
B	Hot water out	3/4 "
C	Cooling water in	3/4 "
D	Cooling water out	3/4 "
E	Drain pan	
F	Electrical connection	



DETAIL C
SCALE 1 : 4



Studio Vari VC, left hand connection

Model	Unit length "A"	Distance "B"	Weight (kg)	Number of fan sections
Studio Vari VC 9	1020	732	35	2
Studio Vari VC 10	1320	1032	43	2
Studio Vari VC 13	1620	1332	53	2
Studio Vari VC 16	1920	1632	65	4

	Kuvaus: Puhallinpatteri Studio Vari VC Description: Fan coil unit Studio Vari VC		Massa: - Kg Mass: - Materiaali: - Material: - Pintakäs. Treatment: Värisävy: - Color: - Suunnittelija: - Designed By: KSC
	Suhde / Scale A3 1:10	Yleistoleranssi General tol.	
Pvm: Date: 04.04.2017	Piirustus: Drawing: Studio_Vari_VC A.4	Resurssiryhmä 1: Resource group 1: Puhallinpatterit	Sivun no: Sheet No: 2 (2)