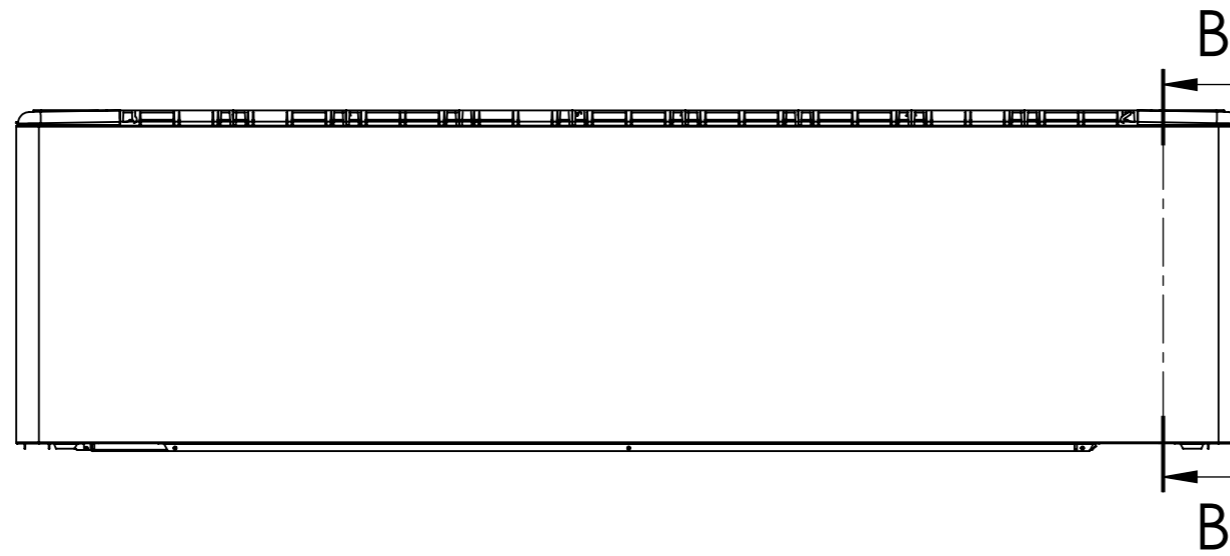
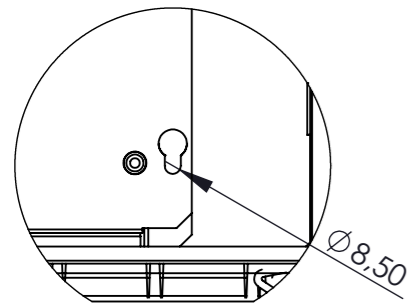


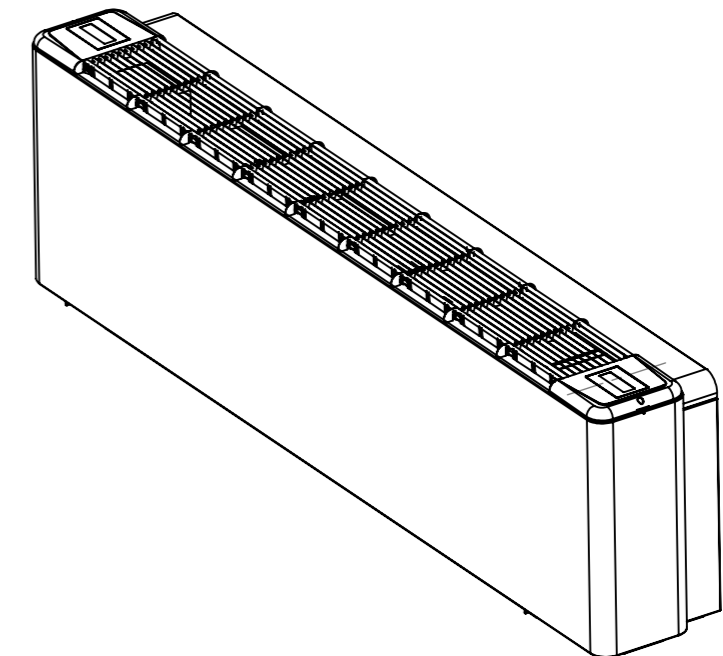
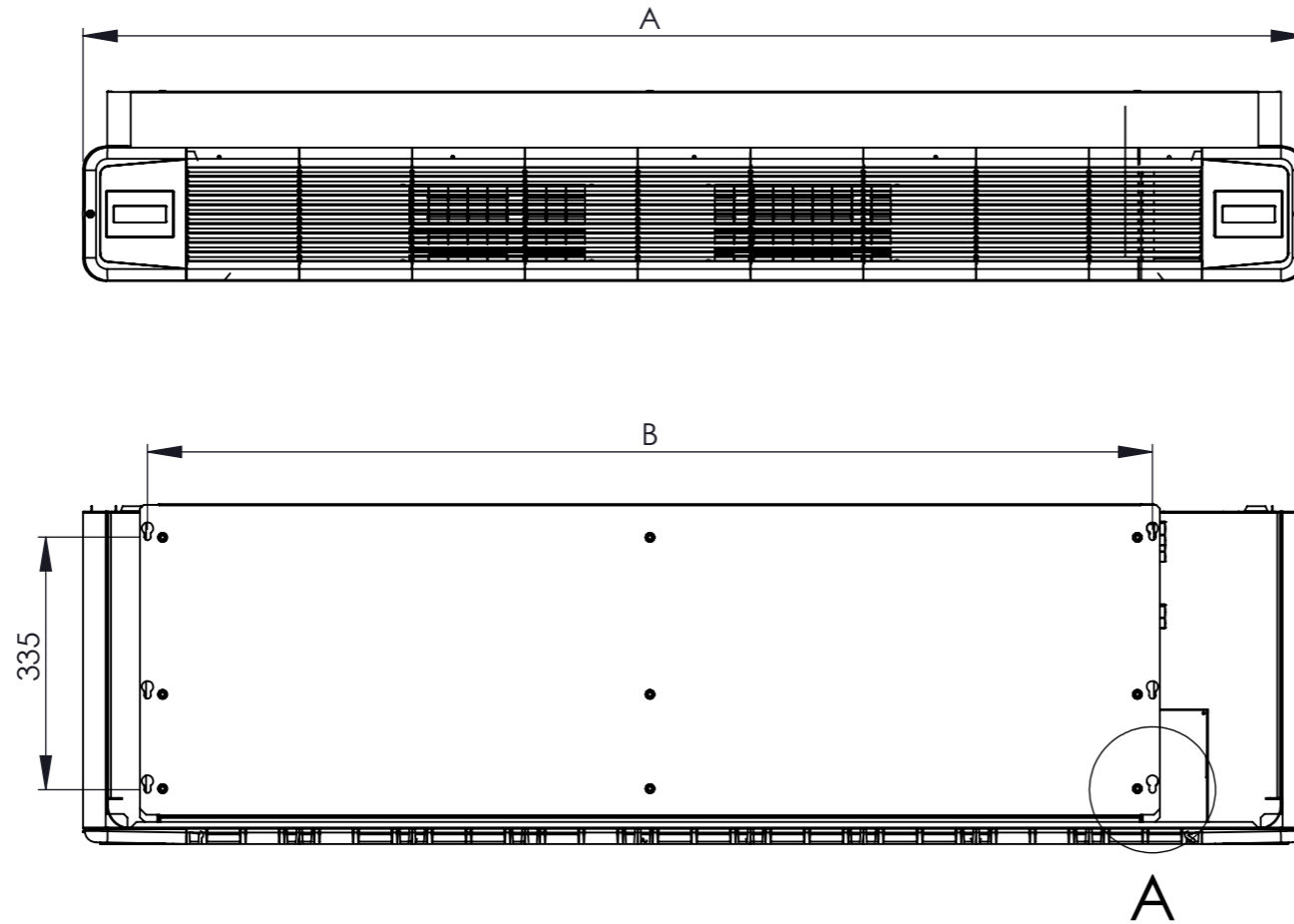
SECTION B-B



A	Hot water in	3/4 "
B	Hot water out	3/4 "
C	Cooling water in	3/4 "
D	Cooling water out	3/4 "
E	Electrical connection	



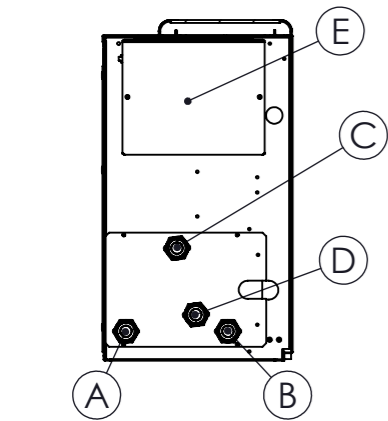
DETAIL A
SCALE 1 : 4



Model	Unit length "A"	Distance "B"	Weight (kg)
Studio Vari VLC 9	1020	732	35
Studio Vari VLC 10	1320	1032	43
Studio Vari VLC 11	1320	1032	44
Studio Vari VLC13	1620	1332	53
Studio Vari VLC 16	1920	1632	65
Studio Vari VLC 17	1920	1632	67

Studio Vari VLC, right hand connection

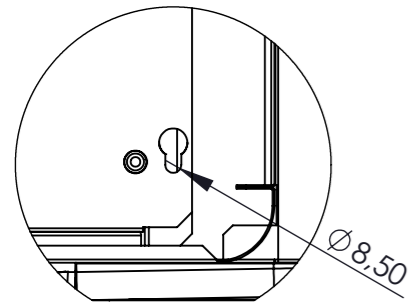
	Kuvaus: Puhallinpatteri Studio Vari VLC Description: Fan coil unit Studio Vari VLC		Massa: - Kg Mass: - Materiaali: - Material: - Pintakäs. Treatment: Värisävy: - Color: - Suunnittelija: - Designed By: KSC
	Suhde / Scale A3 1:10	Yleistoleranssi General tol.	Nimiketunnus: Item code: N01005785
Pvm: Date:	Piirustus: Drawing: Studio_Vari_VLC A.5	Resurssiryhmä 1: Resource group 1: Puhallinpatterit	



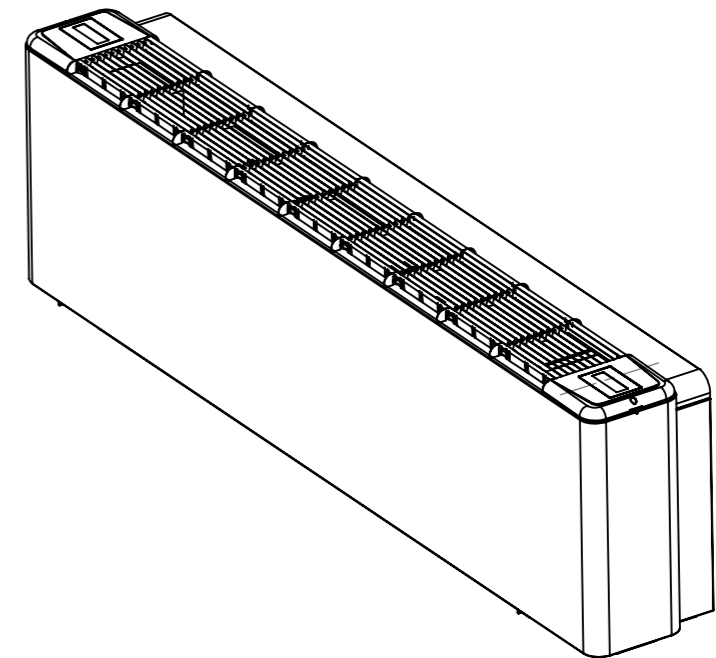
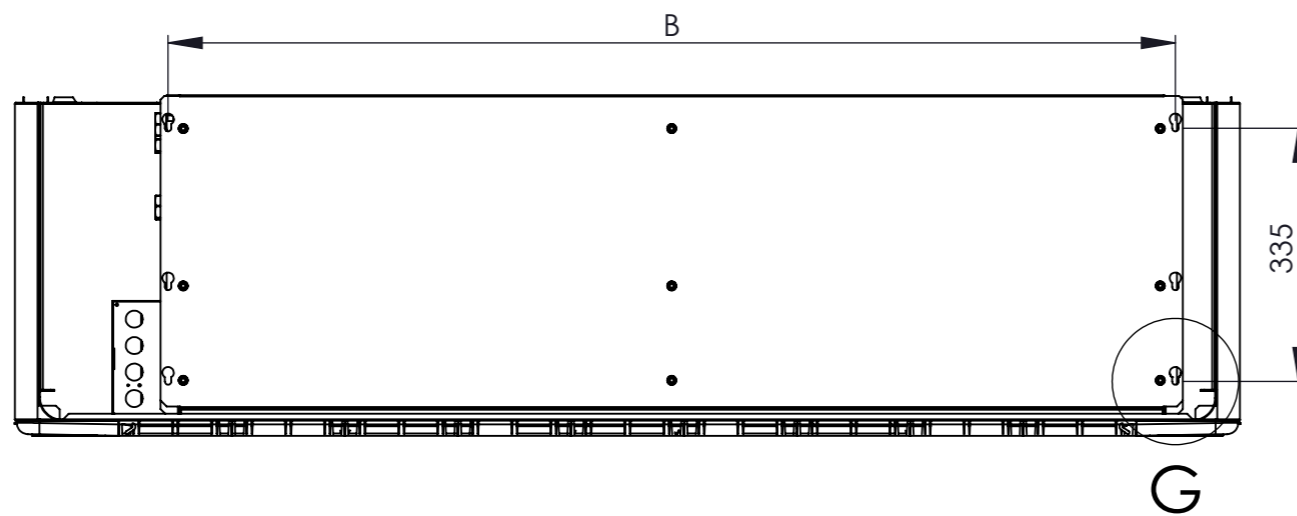
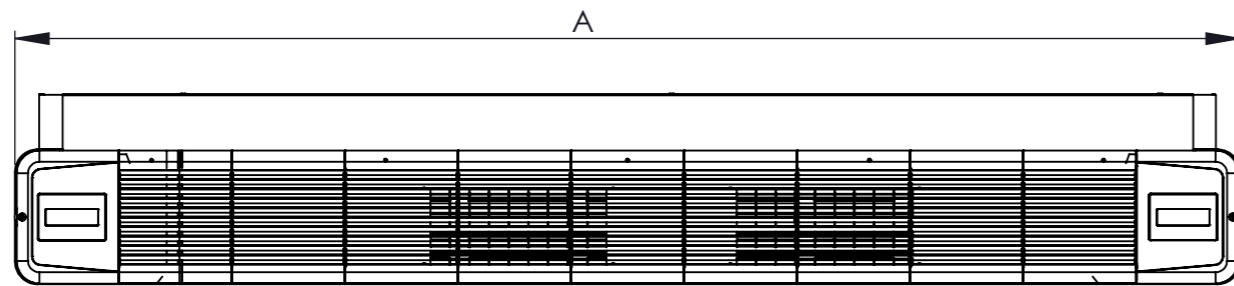
SECTION F-F



A	Hot water in	3/4 "
B	Hot water out	3/4 "
C	Cooling water in	3/4 "
D	Cooling water out	3/4 "
E	Electrical connection	



DETAIL G
SCALE 1 : 4



Model	Unit length "A"	Distance "B"	Weight (kg)
Studio Vari VLC 9	1020	732	35
Studio Vari VLC 10	1320	1032	43
Studio Vari VLC 11	1320	1032	44
Studio Vari VLC13	1620	1332	53
Studio Vari VLC 16	1920	1632	65
Studio Vari VLC 17	1920	1632	67

Studio Vari VLC, left hand connection

	Kuvaus: Puhallinpatteri Studio Vari VLC Description: Fan coil unit Studio Vari VLC		Massa: - Kg Mass: - Materiaali: - Material: - Pintakäs. Treatment: Värisävy: Color: Color: Suunnittelija: Designed By: KSC
	Suhde / Scale A3 1:10	Yleistoleranssi General tol.	Nimiketunnus: Item code: N01005785
Pvm: Date:	Piirustus: Drawing: Studio_Vari_VLC A.5	Resurssiryhmä 1: Resource group 1: Puhallinpatterit	Sivun no: Sheet No: 2 (2)